

# BSV100

## HDMI A male to HDMI A male

The BSV100 is a high quality HDMI connection cable that meets the High Speed HDMI with Ethernet standards. The cable has triple shielding which protects it against EMI. The contacts are gold plated to ensure the best possible connection. The cable supports 1080p and 3D resolutions, even the massive 4K resolution is supported.



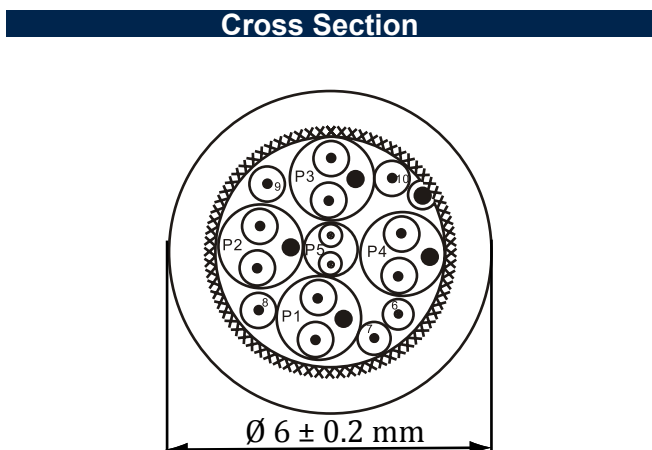
Structure		
Conductor	AWG	30 AWG
	Material	TINNED COPPER OFC
	Size	7 / 0.1
Pair Shield	Material	ALUMINUM FOIL
Inner Shield	Material	ALUMINUM FOIL
Outer Shield	Material	CU. CLAD A BRAIDING OFC
	Construction	16 bundels / 10 wires / Ø 0.10 mm
Jacket	Material	PVC
	Diameter	Ø 6 mm
	Color	Black
Connectors	Material	GOLD PLATED CONNECTORS

Supported Features/Resolutions			
HDMI HIGH SPEED with ETHERNET		HDMI STANDARD with ETHERNET	
Formats	Features	Formats	Features
4K RESOLUTION	Deep Color	1080i	CEC
3D	x.v.Color	and lower resolutions	E-DDC
1080p	CEC		E-EDID
and lower resolutions	E-DDC		ARC
	E-EDID		
	ARC		

Tested Lengths	
	Up to 10 meter
	From 10 to 20 meter

Available Lengths	
BSV100/1 - 1 METER	BSV100/3 - 3 METER
BSV100/2 - 2 METER	

Electrical Characteristics		
Conductor Resistance	Max. 376 Ohm / km at 20° C	
Insulation Resistance	Min. 100 mega Ohm / km at 20° C	
Dielectric Test	500 VAC / min	
Impedance	100 ± 10 Ohm	
Delay	5.05 ns/m	
Intraskew	151 ps / cable	
Attenuation	Frequency (MHz)	Max. Attenuation dB/Cable
	300 kHz - 825 MHz	- 8dB
	825 MHz - 2475 MHz	-21 dB
	2475 MHz - 4125 MHz	-30 dB



**Procab Basic Series**

**BASIC SERIES**

Procab Basic series consist of a complete line containing all standard cables. Thanks to its simplicity, the Basic series have become very popular for all types of users.

!!!More information about the technical terms used in this document can be found on our website!!!