




CLA800

2 x RCA/Cinch male to 2 x RCA/Cinch male

The CLA800 is an unbalanced stereo audio cable which is fitted with RCA connectors, allowing audio interconnections between audio sources, pre-amplifiers, amplifiers and many other kinds of devices. The connectors are gold plated, ensuring a reliable connection even after many times plugging and unplugging. The cables tension relief is colour coded indicating a clear difference between both channels.



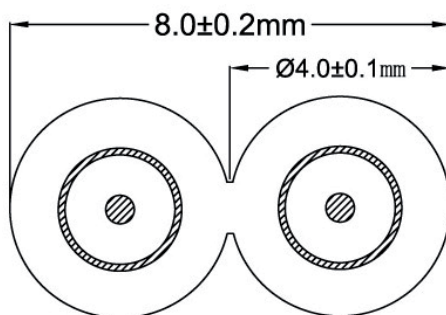
Structure

Type of cable	Unbalanced Audio Cable
Number of Conductors	2
Conductor Section	0.081 mm ²
Conductor Material	 BARE COPPER
Conductor Construction	7 wires / Ø 0.12 mm
Insulation Material	Polyethylene (Red and White)
Insulation Diameter	Ø 1 mm
Overall Shield Material	 CU-CLAD AL SPIRAL
Overall Shield Construction	26 wires / Ø 0.12 mm
Jacket	PVC Black
Connectors	 GOLD PLATED CONNECTORS
AWG	28 AWG
Jacket Outer Diameter	Ø 8 mm

Available Lengths

CLA800/0.5 - 0.5 METER	CLA800/3 - 3 METER	CLA800/15 - 15 METER
CLA800/1.5 - 1.5 METER	CLA800/5 - 5 METER	CLA800/20 - 20 METER
CLA800/2 - 2 METER	CLA800/10 - 10 METER	

Cross Section



Procab Classic Series



Procab Classic series offer a stunning line of cables that will satisfy any user that comes into contact with them. Our confidence in these products is reflected in the 5-year guarantee offered on all classic models.

